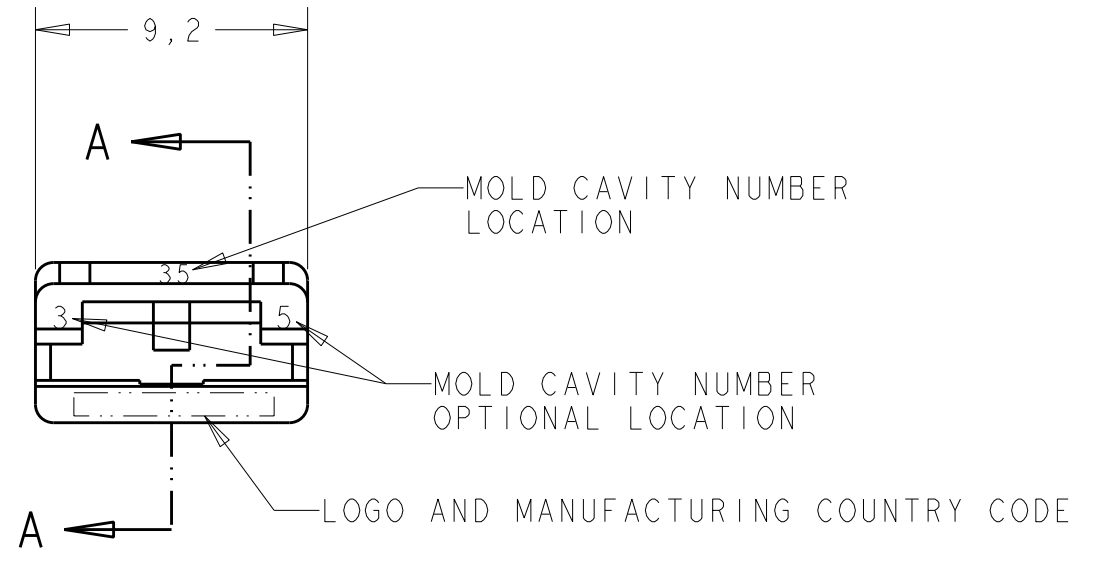
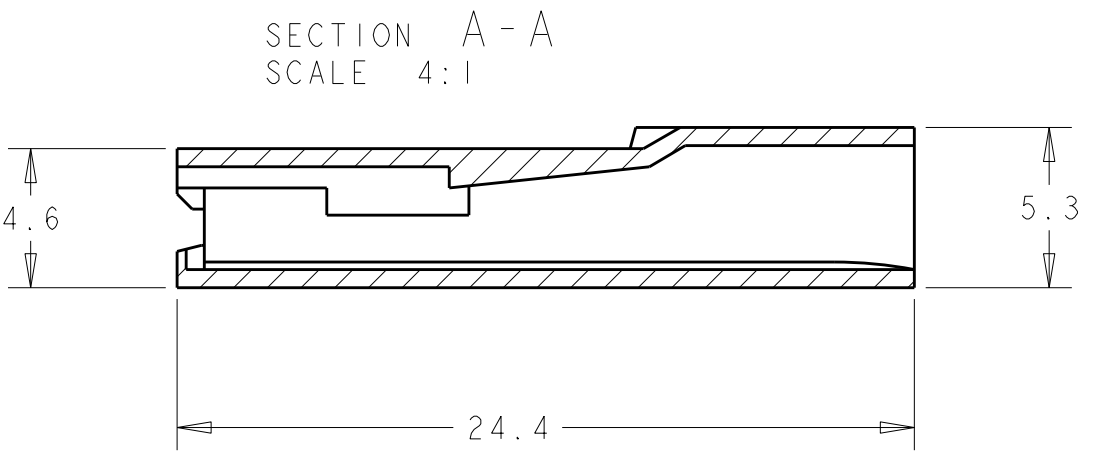
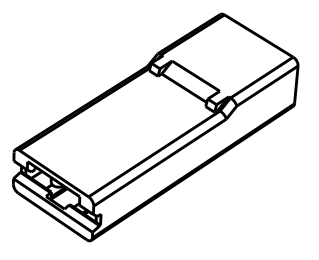


THIS DRAWING IS UNPUBLISHED. RELEASED FOR PUBLICATION 1998
 © COPYRIGHT 1998 ALL RIGHTS RESERVED.

LOC	DIST	REVISIONS				
P	LTR	DESCRIPTION	DATE	DWN	APVD	
AP	-	V7	REDRAW ECO-12-009353	07DEC2012	HC	WLS



- ① - PA 6.6 ACCORDING TO SPEC. IEC 60335-1 GWT 750°C WITHOUT FLAME.
- ② - PA 6.6 94 V-2 THERMO STABILIZED.
- ③ - PACKAGING QUANTITY: 15000 PIECES IN A BOX.
- ④ - PAKAGING: 25 PLASTIC BAGS WITH 300 PIECES EACH IN A BOX. TOTAL 7500 PIECES/BOX



COR/COLOR	MATERIAL	PART NUMBER
NEGRO/BLACK	POLYAMIDE 6/6 V-2	8-735075-2 ④
NEGRO/BLACK	POLYAMIDE 6/6 V-2 ②	8-735075-1
NATURAL/CLEAR	POLYAMIDE 6/6 V-0 ①	8-735075-0
NATURAL/CLEAR	POLYAMIDE 6/6 V-0	6-735075-0
NATURAL/CLEAR	POLYAMIDE 6/6 V-0	2-735075-6 ③
NEGRO/BLACK	PA 6.6 V-2	1-735075-5
AMARELO/YELLOW		1-735075-4
AZUL/BLUE		1-735075-3
VERMELHO/RED		1-735075-1
NATURAL/CLEAR		1-735075-0
NEGRO/BLACK	POLIPROPILENO/POLYPROPYLENE	735075-5
VERDE/GREEN		735075-2 ③
VERMELHO/RED		735075-1 ③
NATURAL/CLEAR		735075-0

THIS DRAWING IS A CONTROLLED DOCUMENT.		DWN H. CANTERI 06DEC2012	TE Connectivity	
		CHK W.L. STEFANI 07DEC2012		
DIMENSIONS: mm		APVD -	NAME POST INSULATION FASTON 6,35 mm. HSG.	
TOLERANCES UNLESS OTHERWISE SPECIFIED:		PRODUCT SPEC 108-22033	RESTRICTED TO -	
0 PLC ± 1 PLC ± 2 PLC ±GENERAL 3 PLC ±TOLERANCES 4 PLC ± ±0.3 ANGLES ±1		APPLICATION SPEC -	SIZE A3 CAGE CODE 00779 DRAWING NO C-735075	
MATERIAL SEE TABLE FINISH SEE TABLE		WEIGHT -	SCALE - SHEET 1 OF 1 REV V7	
CUSTOMER DRAWING				